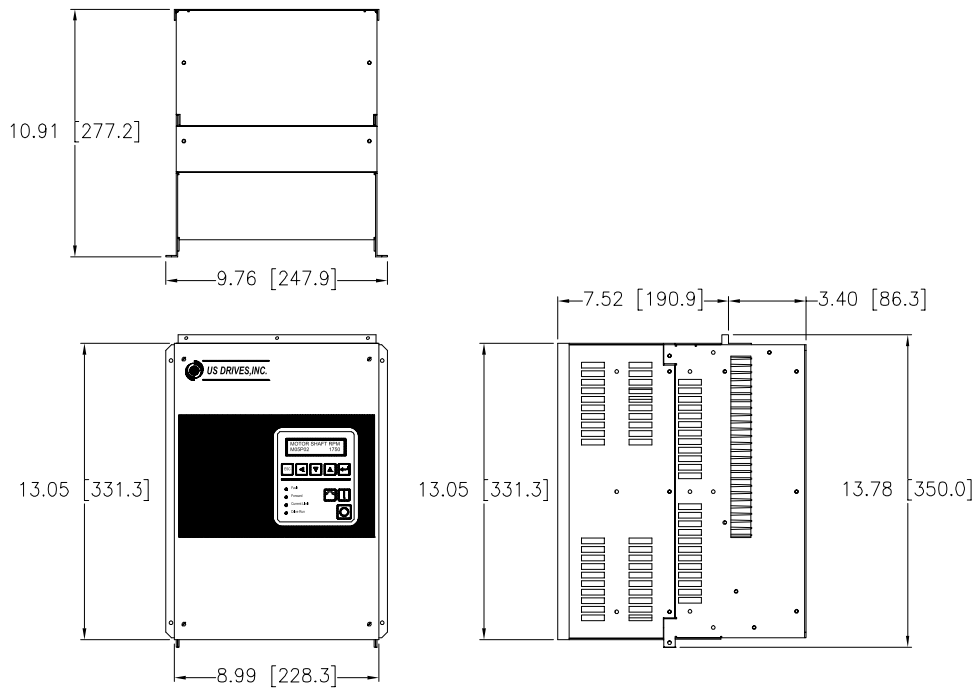
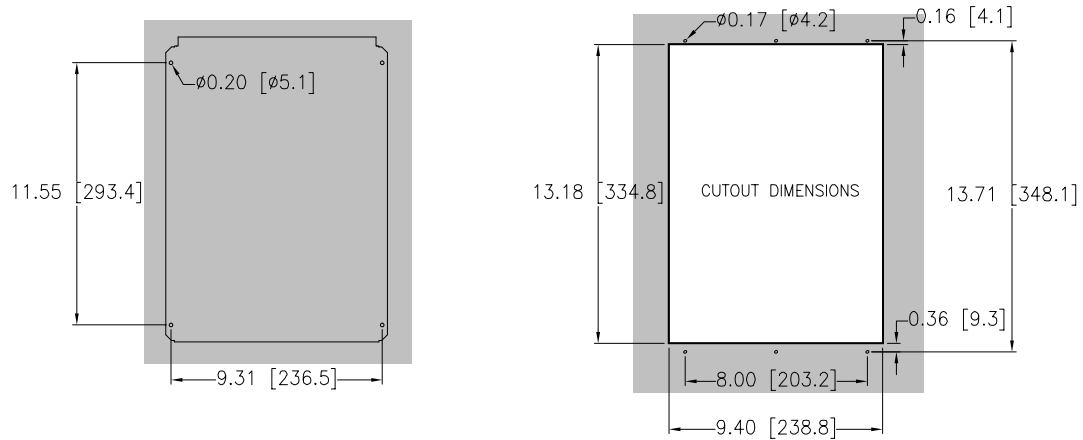


2-2 INSTALLATION AND WIRING



PANEL MOUNTING

THROUGH-PANEL MOUNTING



Approximate Weight: 30 Lbs. [14 Kgs]

Notes:

- Top and bottom endplates are removable to gain access inside the drive and to punch holes for conduits.
- End plates must be removed from the drive before drilling and punching holes to avoid metal dust inside the drive enclosure. Failure to do so will cause damage to the drive.
- For through-panel mounting, customer is to seal gap on both sides of cutout. Provided by customer, aluminum angle 1" x 1" x 0.050" can be used to attach to left and right sides of the drive to help seal and secure the drive.

**Figure 2-2
PHOENIX Mounting Information
Size 0 (Nema Type 1)**