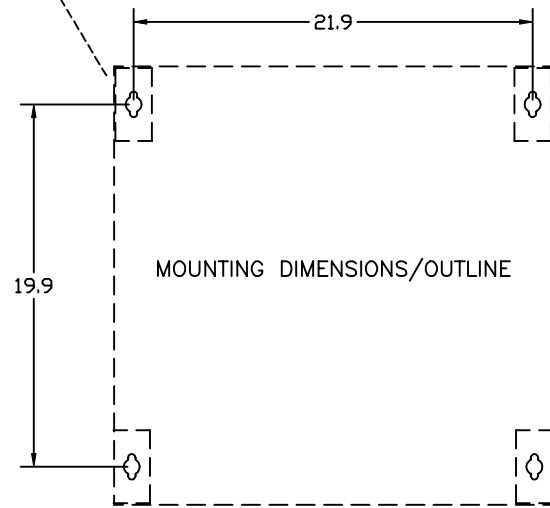
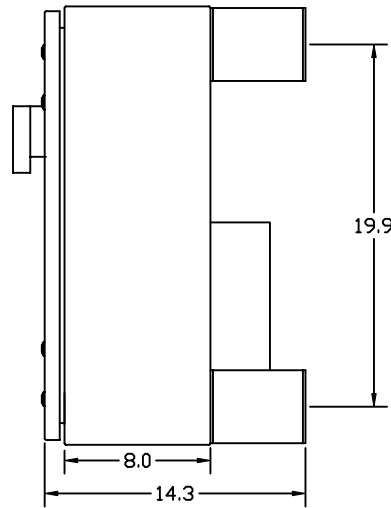
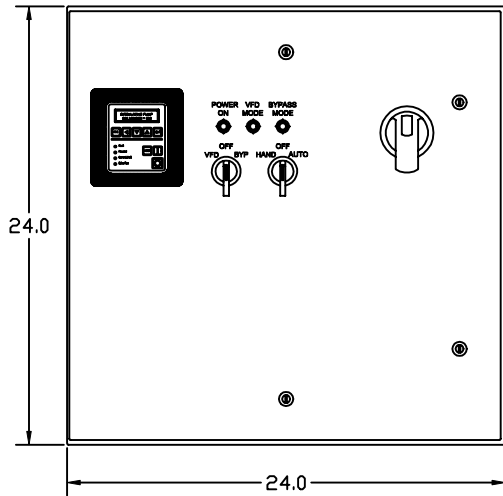
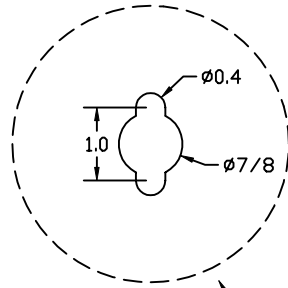
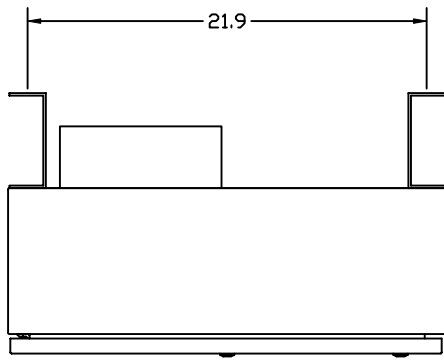


NOTE: NEMA TYPE 4 (INDOOR OR OUTDOOR). KEEP AWAY FROM DIRECT SUNLIGHT

REVISION		
REV.	DESCRIPTION	CHG. BY & DATE



ESTIMATED WEIGHT: 85 LBS

This is AutoCAD drawing #

<p>US DRIVES, INC. CLAIMS PROPRIETARY RIGHTS IN THE SOFTWARE DESCRIBED HEREIN. THIS DOCUMENTARY MAY NOT BE REPRODUCED OR TRANSMITTED IN ANY FORM OR BY ANY MEANS, ELECTRONIC OR MECHANICAL, INCLUDING PHOTOCOPYING, RECORDING, OR BY ANY INFORMATION STORAGE AND RETRIEVAL SYSTEM, WITHOUT THE WRITTEN PERMISSION FROM US DRIVES, INC.</p>	DIMENSIONS IN INCHES:		DR	06-08-01	APPD
	TOL. ±	FR	TITLE	SIZE 0-A WITH BYPASS NEMA TYPE 4	
	±.001		ANGLES ±		
	±.000		HOLE DIA. ±.003		
SHEET 1 OF 1					